

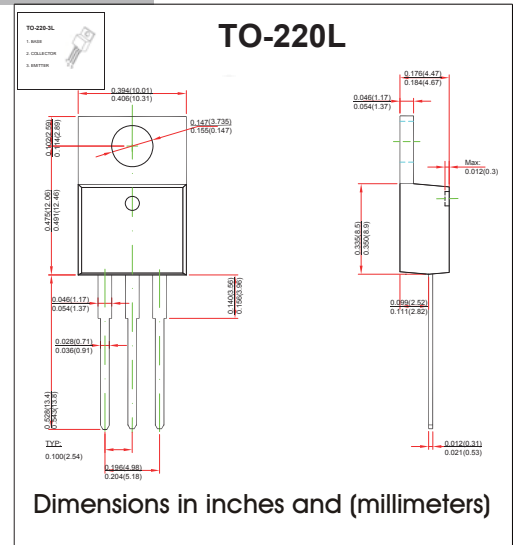
TO-220L Plastic-Encapsulate Transistors

FEATURES

- Wide Safe Operating Area.
- Complementary to 2SC2703
- TRANSISTOR (PNP)

MECHANICAL DATA

- Case style:TO-220L molded plastic
- Mounting position:any



MAXIMUM RATINGS AND CHARACTERISTICS

@ 25°C Ambient Temperature (unless otherwise noted)

Symbol	Parameter	Value	Unit
V_{CB0}	Collector-Base Voltage	-150	V
V_{CE0}	Collector-Emitter Voltage	-150	V
V_{EB0}	Emitter-Base Voltage	-5	V
I_C	Collector Current -Continuous	-1.5	A
P_C	Collector Power Dissipation	1.5	W
T_j	Junction Temperature	150	°C
T_{stg}	Storage Temperature Range	-55-150	°C

PACKAGE INFORMATION

Device	Package	Shipping
2SA940	TO-220L	50/Tape&Reel

Parameter	Symbol	Test conditions	Min	Typ	Max	Unit
Collector-base breakdown voltage	$V_{(BR)CB0}$	$I_C = -100\mu A, I_E = 0$	-150			V
Collector-emitter breakdown voltage	$V_{(BR)CE0}$	$I_C = -1mA, I_B = 0$	-150			V
Emitter-base breakdown voltage	$V_{(BR)EB0}$	$I_E = -100\mu A, I_C = 0$	-5			V
Collector cut-off current	I_{CB0}	$V_{CB} = -120V, I_E = 0$			-10	μA
Emitter cut-off current	I_{EB0}	$V_{EB} = -5V, I_C = 0$			-10	μA
DC current gain	h_{FE}	$V_{CE} = -10V, I_C = -0.5A$	40		140	
Collector-emitter saturation voltage	$V_{CE(sat)}$	$I_C = -0.5A, I_B = -50mA$			-1.5	V
Base-emitter voltage	V_{BE}	$V_{CE} = -10V, I_C = -0.5A$	-0.65		-0.85	V
Transition frequency	f_T	$V_{CE} = -10V, I_C = -0.5A$		4		MHz
Collector output capacitance	C_{ob}	$V_{CB} = -10V, I_E = 0, f = 1MHz$		55		pF