

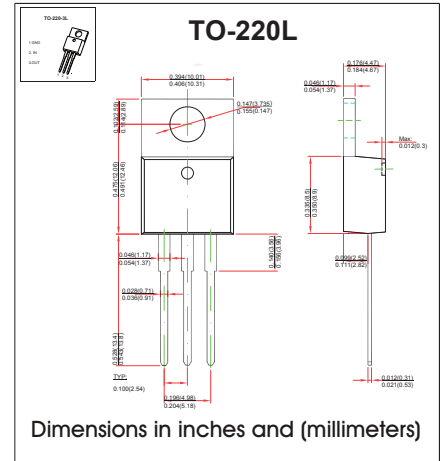
Three-terminal positive voltage regulator

FEATURES

- Maximum output current IOM: 1.5 A
- Output voltage V_O : -6V
- Continuous total dissipation
 P_D : 1.5 W ($T_a=25\text{ }^\circ\text{C}$)

MECHANICAL DATA

- Case: TO-220 Small Outline Plastic Package
- Polarity: Color band denotes cathode end
- Mounting Position: Any



ABSOLUTE MAXIMUM RATINGS

(Operating temperature range applies unless otherwise specified)

Parameter	Symbol	Value	Unit
Input Voltage	V_i	-35	V
Thermal Resistance from Junction to Air	$R_{\theta JA}$	83.3	$^\circ\text{C}/\text{W}$
Operating Junction Temperature Range	T_{OPR}	0~+150	$^\circ\text{C}$
Storage Temperature Range	T_{STG}	-65~+150	$^\circ\text{C}$

ELECTRICAL CHARACTERISTICS AT SPECIFIED VIRTUAL JUNCTION TEMPERATURE

($V_i=-11\text{V}$, $I_o=500\text{mA}$, $C_i=2.2\mu\text{F}$, $C_o=1\mu\text{F}$, unless otherwise specified)

Parameter	Symbol	Test conditions	Min	Typ	Max	Unit
Output Voltage	V_o	$25\text{ }^\circ\text{C}$	-5.76	-6	-6.24	V
		$-8\text{V}\leq V_i\leq -21\text{V}$, $I_o=5\text{mA}-1\text{A}$	0-125 $^\circ\text{C}$	-5.7	-6	-6.3
Load Regulation	ΔV_o	$I_o=5\text{mA}-1.5\text{A}$	$25\text{ }^\circ\text{C}$	15	120	mV
		$I_o=250\text{mA}-750\text{mA}$	$25\text{ }^\circ\text{C}$	5	60	mV
Line Regulation	ΔV_o	$-8\text{V}\leq V_i\leq -25\text{V}$	$25\text{ }^\circ\text{C}$	12.5	120	mV
		$-9\text{V}\leq V_i\leq -13\text{V}$	$25\text{ }^\circ\text{C}$	4	60	mV
Quiescent Current	I_q	$25\text{ }^\circ\text{C}$		1.5	2	mA
Quiescent Current Change	ΔI_q	$-8\text{V}\leq V_i\leq -25\text{V}$	0-125 $^\circ\text{C}$		1.3	mA
	ΔI_q	$5\text{mA}\leq I_o\leq 1\text{A}$	0-125 $^\circ\text{C}$		0.5	mA
Output Noise Voltage	V_N	10Hz $\leq f\leq 100\text{KHz}$	$25\text{ }^\circ\text{C}$	150		$\mu\text{V}/V_o$
Output Voltage Drift	$\Delta V_o/\Delta T$	$I_o=5\text{mA}$	0-125 $^\circ\text{C}$	-0.4		$\text{mV}/^\circ\text{C}$
Ripple Rejection	RR	$-9\text{V}\leq V_i\leq -19\text{V}$, $f=120\text{Hz}$	0-125 $^\circ\text{C}$	54	60	dB
Dropout Voltage	V_d	$I_o=1\text{A}$	$25\text{ }^\circ\text{C}$	1.1		V
Peak Current	I_{pk}	$25\text{ }^\circ\text{C}$		2.1		A

* Pulse test.

TYPICAL APPLICATION

