

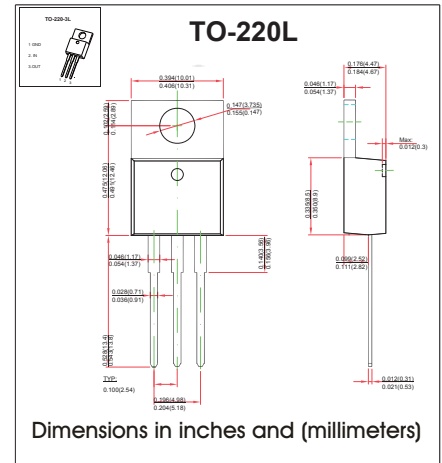
Three-terminal positive voltage regulator

FEATURES

- Maximum output current IOM: 1.5 A
- Output voltage VO: -9V
- Continuous total dissipation
 $P_D: 1.5 W (T_a = 25^\circ C)$

MECHANICAL DATA

- Case: TO-220 Small Outline Plastic Package
- Polarity: Color band denotes cathode end
- Mounting Position: Any



ABSOLUTE MAXIMUM RATINGS

(Operating temperature range applies unless otherwise specified)

Parameter	Symbol	Value	Unit
Input Voltage	V_i	-35	V
Thermal Resistance from Junction to Air	$R_{\theta JA}$	83.3	$^\circ C/W$
Operating Junction Temperature Range	T_{OPR}	0~+150	$^\circ C$
Storage Temperature Range	T_{STG}	-65~+150	$^\circ C$

ELECTRICAL CHARACTERISTICS AT SPECIFIED VIRTUAL JUNCTION TEMPERATURE ($V_i = -15V, I_o = 500mA, C_i = 2.2\mu F, C_o = 1\mu F$, unless otherwise specified)

Parameter	Symbol	Test conditions	Min	Typ	Max	Unit
Output Voltage	V_o	$25^\circ C$	-8.64	-9	-9.36	V
		$-11.5V \leq V_i \leq -24V, I_o = 5mA-1A$	0-125 $^\circ C$	-8.55	-9	-9.45
Load Regulation	ΔV_o	$I_o = 5mA-1.5A$	$25^\circ C$		180	mV
		$I_o = 250mA-750mA$	$25^\circ C$		80	mV
Line Regulation	ΔV_o	$-11.5V \leq V_i \leq -26V$	$25^\circ C$		140	mV
		$-13V \leq V_i \leq -19V$	$25^\circ C$		70	mV
Quiescent Current	I_q	$25^\circ C$		1.6	2.6	mA
Quiescent Current Change	ΔI_q	$-11.5V \leq V_i \leq -26V$	0-125 $^\circ C$		1	mA
		$5mA \leq I_o \leq 1A$	0-125 $^\circ C$		0.5	mA
Ripple Rejection	RR	$-11.5V \leq V_i \leq -21.5V, f = 120Hz$	0-125 $^\circ C$	54	60	dB
Dropout Voltage	V_d	$I_o = 1A$	$25^\circ C$		1.1	V
Peak Current	I_{pk}	$25^\circ C$		2.1		A

* Pulse test.

TYPICAL APPLICATION

