

## Schottky Barrier Diode

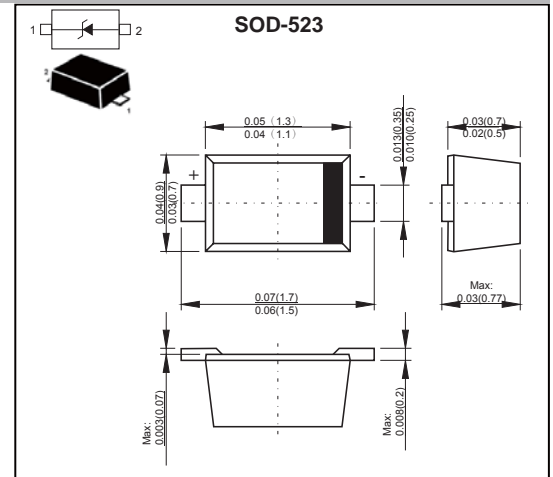
**VOLTAGE RANGE: 30V PEAK PULSE POWER:200mW**

### Features

- VR 30V
- IF(AV) 200mA
- Low Forward Voltage Drop

### MECHANICAL DATA

- Case: SOD-523 Small Outline Plastic Package
- Polarity: Color band denotes cathode end
- Mounting Position: Any



## MAXIMUM RATINGS AND CHARACTERISTICS

Ratings at 25 C ambient temperature unless otherwise specified

Item	Symbol	Unit	Conditions	Limit
Power Dissipation	PD	mW		200
Storage Temperature	TSTG	°C		-65 to +125
Junction Temperature	TJ	°C		125
Repetitive Peak Reverse Voltage	VRRM	V		30
Maximum DC Blocking Voltage	VR	V		30
Average Forward Rectified Current	IF(AV)	mA		200
Peak Forward Surge Current	IFSM	A		4

## Electrical Specification (TA=25°C unless otherwise specified)

Item	Symbol	Unit	Conditions	Min	Max
Breakdown Voltage	VR	V	IR= 100uA	30	
Reverse Leakage Current	IR	uA	VR=25V		0.5
Forward Voltage	VF	V	IF=10mA		0.40
			IF=50mA		0.65
			IF=200mA		1.00
Reverse Recovery Time	TRR	ns	IF=IR=10mA,RL=100 Ω,IRR=1mA	5(Typical))	
Capacitance	C	pF	VR=1V, f=1MHZ	7(Typical))	

### Marking 6B

### Packing Information

Device	Package	Shipping
BAT42XV2	SOD-523	3000/Tape&Reel

# RATINGS AND CHARACTERISTIC CURVES

## Typical Characteristics

Fig.1 Total Capacitance

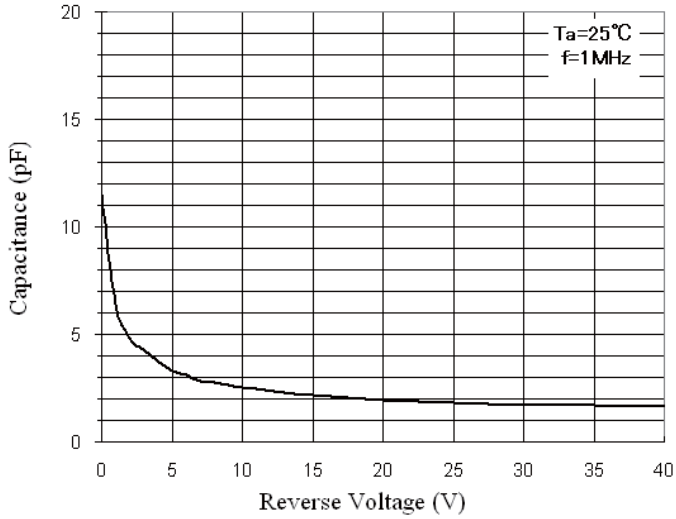


Fig.2 Forward Voltage vs Ambient Temperature

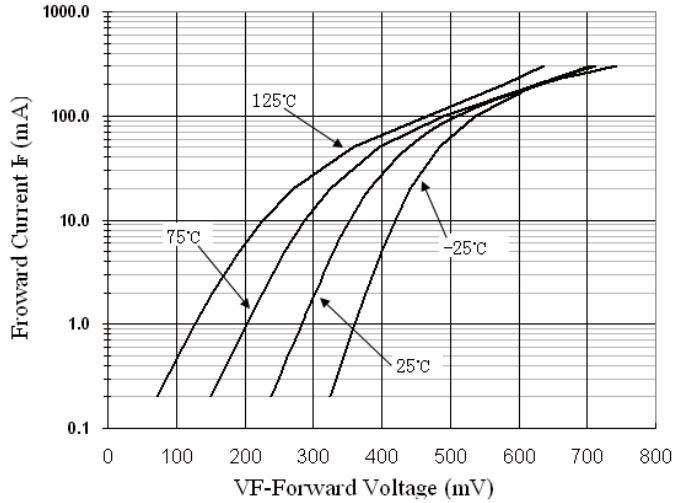


Fig.3 Reverse Current vs Reverse Voltage

