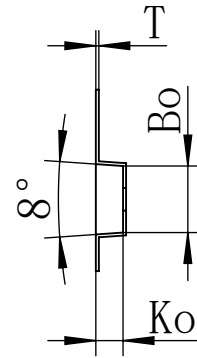
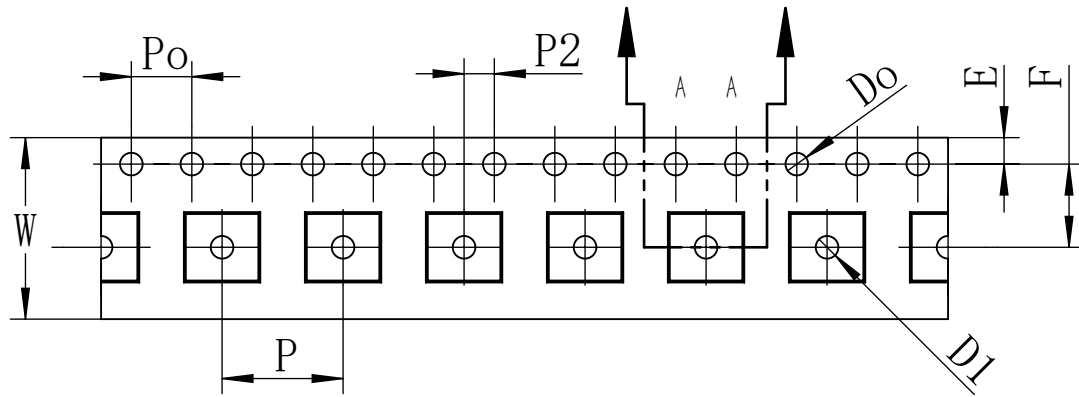
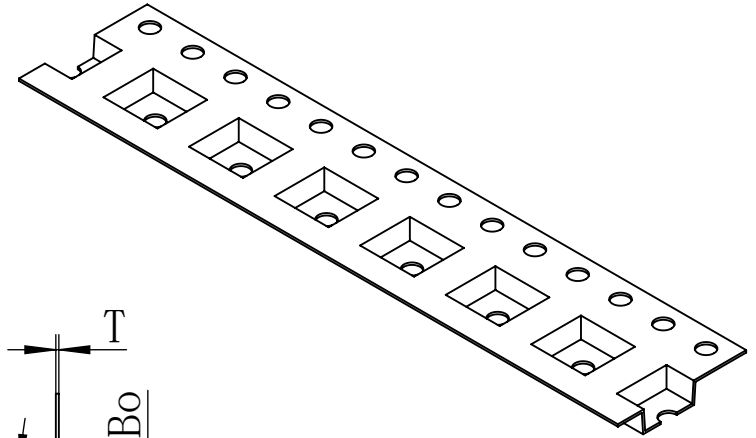
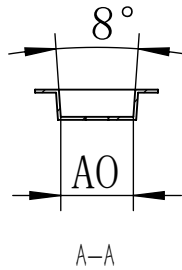


PRODUCT DATA SHEET

Name	W	Ao	Bo	A1	B1	Ko	K1	E	F	P	Po	P2	Po10	Do	D1	T
DATA (Unit:mm)	12.0	4.8	4.4			1.8		1.75	5.5	8.0	4.0	2.0	40.0	1.5	1.5	0.25
	+0.10	+0.10	+0.10			+0.10		+0.10	+0.05	+0.10	+0.10	+0.05	+0.20	+0.10	+0.10	+0.02
	-0.10	-0.10	-0.10			-0.10		-0.10	-0.05	-0.10	-0.10	-0.05	-0.20	-0.00	-0.10	-0.02



1. Surface Resistivity: 10E4-10E8 ohms/sq
2. Carrier camber not to exceed 2mm in 250mm.
3. A0 and B0 measured on a plane on the inside bottom of the pocket.
4. All dimensions meet EIA-481-D requirements.

A		
VERSION	UPDATE DESCRIPTION	UPDATED DATE



济南汇丰中天电子科技有限公司

DRAWN			MATERIAL	PSNTS1	TOOL NO.	SNT SOT89-3LA
CHECKED			 <small>THIRD ANGLE PROJECTION</small>	SCALE	WEIGHT	
APPR						PART NO.
		OF 1		SHEET 1		