

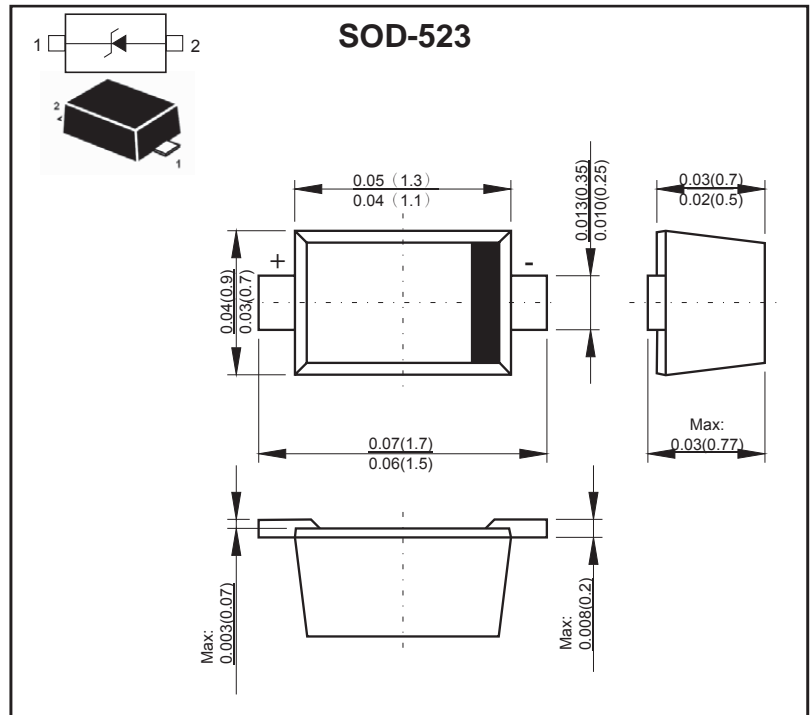
Electrostatic discharge Protection Devices(ESD)

FEATURES

- Reverse working(Stand-off) voltages:5.0V
- Low leakage.
- Response time is typically<1ns.
- ESD Rating of Class 3(>16kV) per Human Body Model.
- IEC61000-4-2Level 4 ESD Protection.

APPLICATIONS

- Designed to protect voltage sensitive components from ESD and transient.
- Bi-directional micro-packaged diodes for ESD protection.
- Case style:SOD-523molded plastic



MAXIMUM RATINGS AND CHARACTERISTICS

@ 25°C Ambient Temperature (unless otherwise noted)

Parameter	Symbol	Limits	Unit
IEC 61000-4-2 (ESD) Contact		± 30	kV
ESD voltage per human body model		16	kV
per machine model		400	V
Peak power per 8×20μs waveform	P_{PK}	50	W
Peak power per 10×1000μs waveform		10	
Total power dissipation	P_{tot}	200	mW
Junction and Storage temperature range	T_j, T_{stg}	-55 to +150	°C
Lead solder temperature range (10 Second Duration)	T_L	260	°C

Note 1.FR-5=1.0*0.75*0.62in

Device	Device Marking	V_{RWM} (V)	$I_R(\mu A)$ @ V_{RWM}	$V_{BR}(V)$ @ I_T		I_T	$C(pF)$ @ $V_R=0V,$ $f=1MHz$
		Max.	Max.	Min.	Max.	mA	Typ.
GESD5V0B5	B5	5.0	1.0	5.8	7.8	1.0	10

PACKAGE INFORMATION

Device	Package	Shipping
GESD5V0B5	SOD-523	3000/Tape&Reel

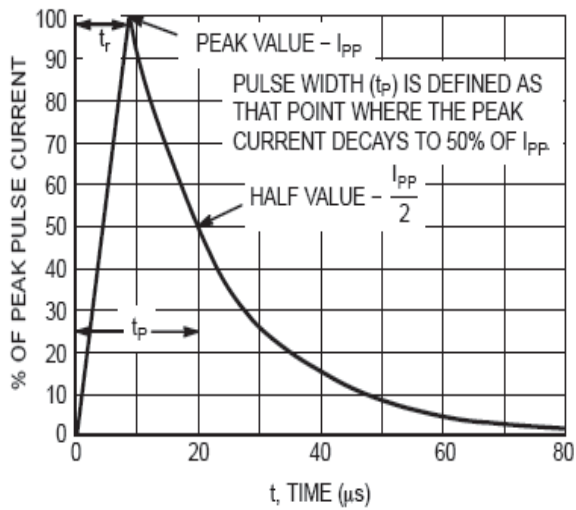


Figure 1. 8 x 20 μs Pulse Waveform

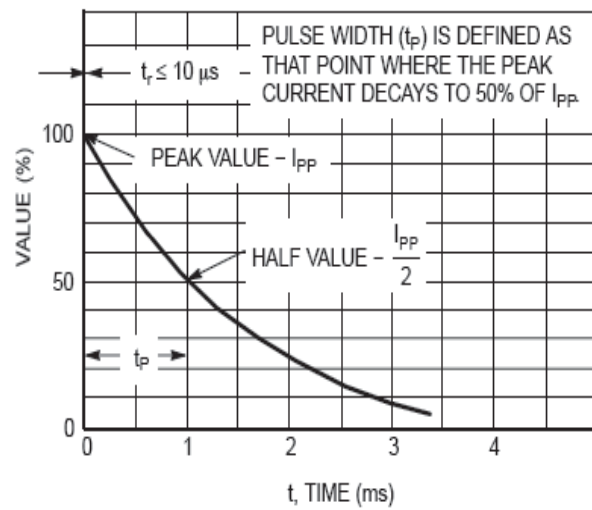


Figure 2. 10 x 1000 μs Pulse Waveform