

Fig.1 Typical Output Characteristics

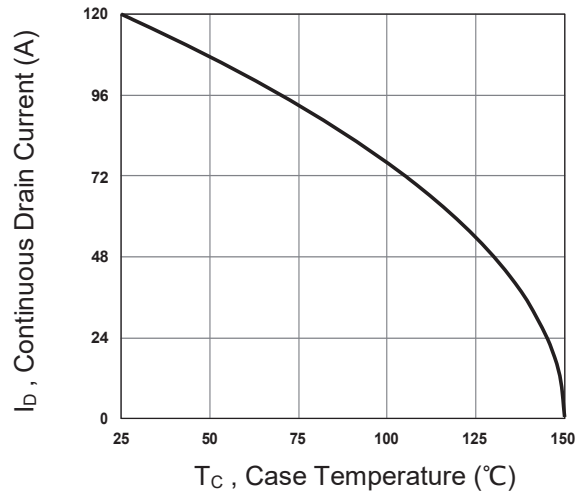


Fig.2 Continuous Drain Current vs. T_c

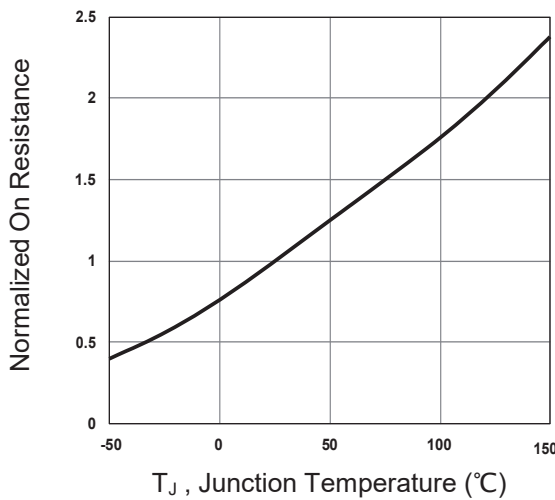


Fig.3 Normalized RDSON vs. T_j

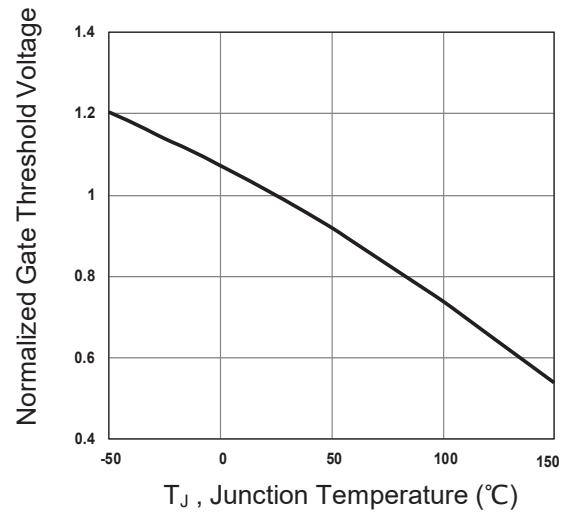


Fig.4 Normalized V_{th} vs. T_j

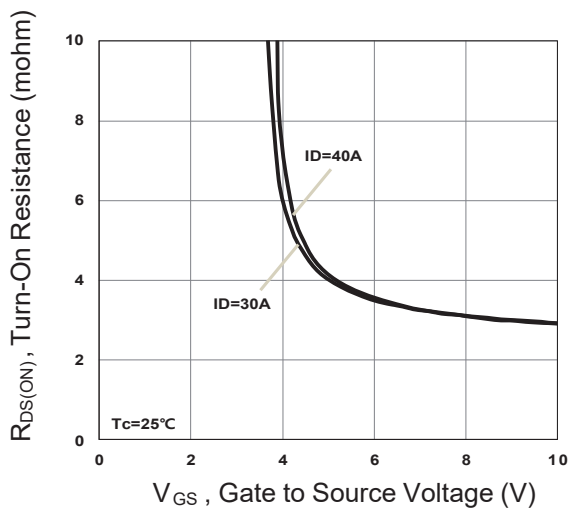


Fig.5 Turn-On Resistance vs. V_{GS}

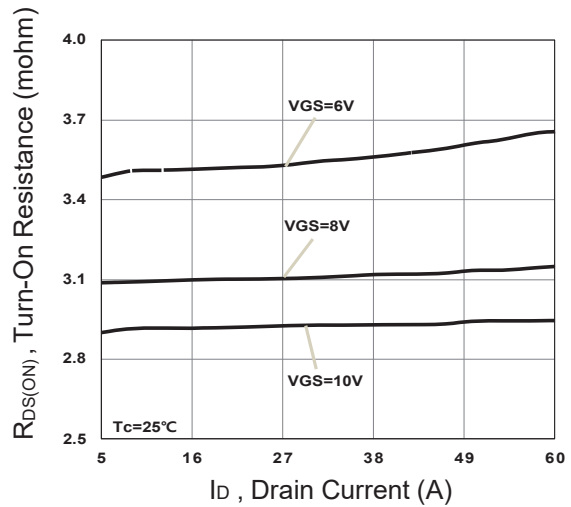


Fig.6 Turn-On Resistance vs. I_D

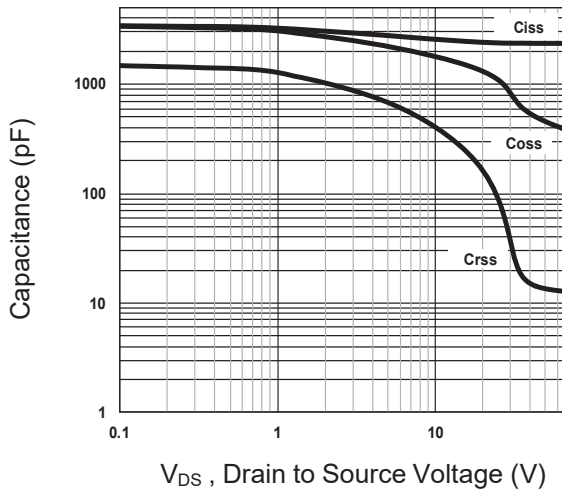


Fig.7 Capacitance Characteristics

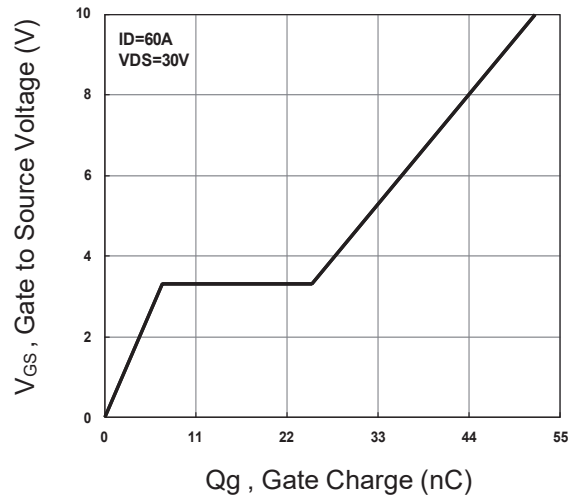


Fig.8 Gate Charge Characteristics

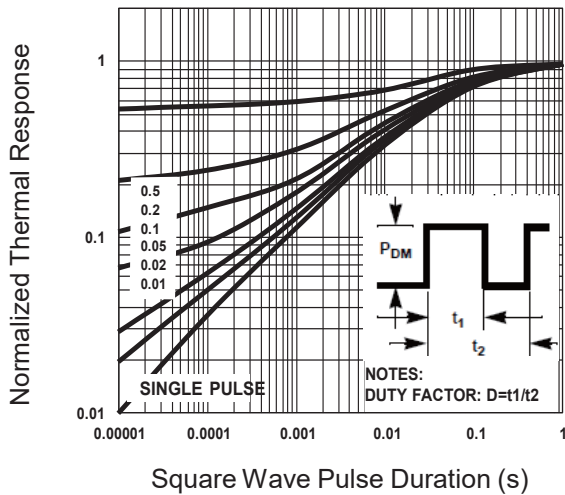


Fig.9 Normalized Transient Impedance

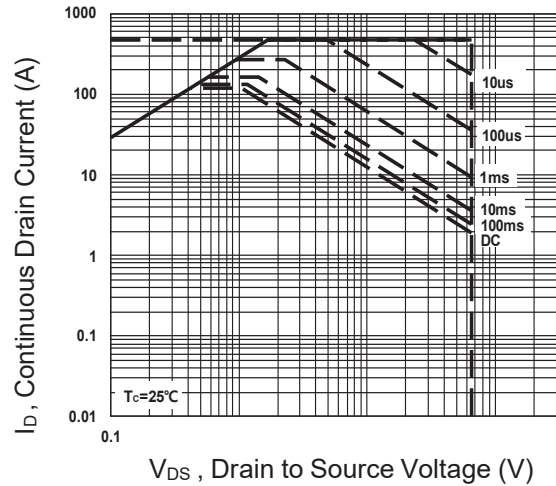


Fig.10 Maximum Safe Operation Area

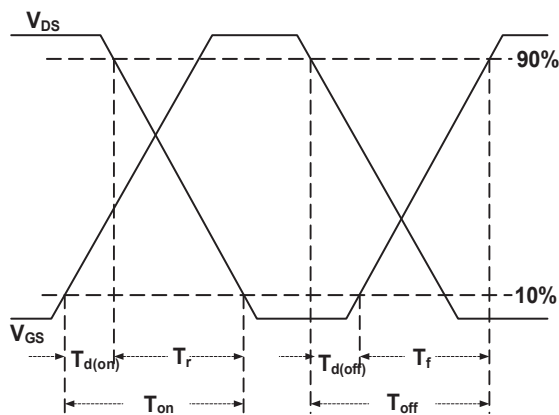


Fig.11 Switching Time Waveform

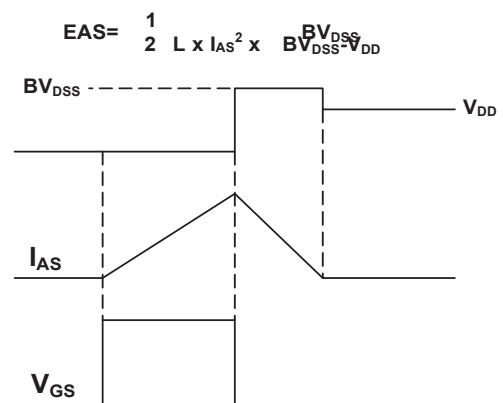
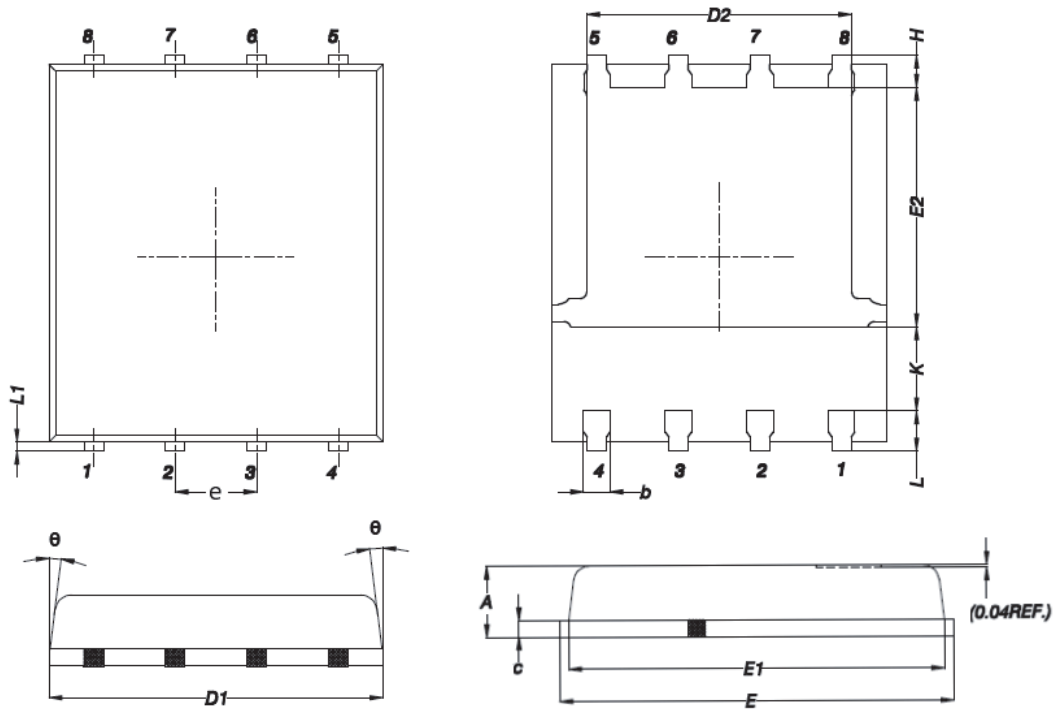


Fig.12 EAS Waveform

PPAK5x6 PACKAGE INFORMATION



Symbol	Dimensions In Millimeters			Dimensions In Inches		
	MAX		MIN	MAX		MIN
A	1.200		0.850	0.047		0.031
b	0.510		0.330	0.020		0.013
C	0.300		0.200	0.012		0.008
D1	5.400		4.800	0.212		0.189
D2	4.310		3.610	0.170		0.142
E	6.300		5.850	0.248		0.230
E1	5.960		5.450	0.235		0.215
E2	3.920		3.300	0.154		0.130
e		1.27BSC			0.05BSC	
H	0.650		0.380	0.026		0.015
K	---		1.100	---		0.043
L	0.710		0.380	0.028		0.015
L1	0.250		0.050	0.009		0.002
θ	12°		0°	12°		0°