

SCHOTTKY BARRIER DIODE

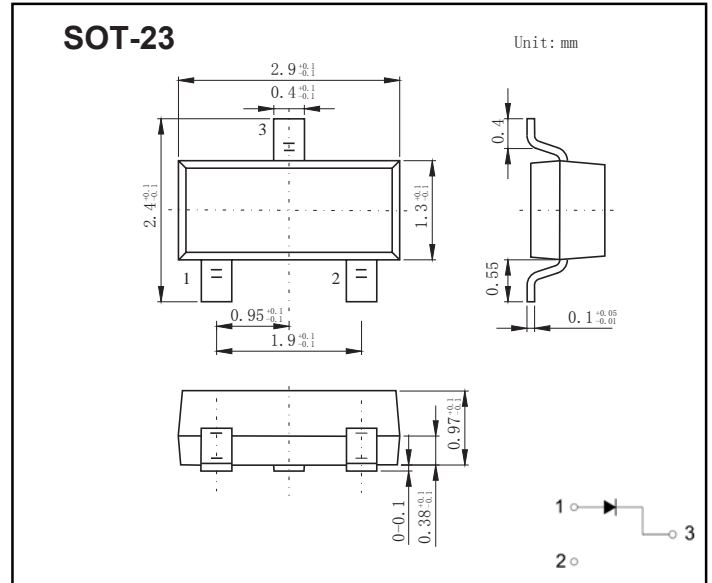
VOLTAGE RANGE: 40V PEAK PULSE POWER:250mW

FEATURES

- Small Surface Mounting
- Type Low VF
- High Reliability
- Low Power Rectification

MECHANICAL DATA

- Case: SOT-23 Small Outline Plastic Package
- Polarity: Color band denotes cathode end
- Mounting Position: Any



MAXIMUM RATINGS AND CHARACTERISTICS

Ratings at 25 °C ambient temperature unless otherwise specified

Symbol	Parameter	Value	Unit
VR	DC Blocking Voltage	40	V
IO	Continuous Forward Current	100	mA
IFSM	Non-repetitive Peak Forward Surge Current @t=8.3ms	1	A
PD	Power Dissipation	250	mW
RθJA	Thermal Resistance from Junction to Ambient	400	°C/W
TJ	Junction Temperature	125	°C
Tstg	Storage Temperature	-55~+150	°C

Electrical Specification (TA=25°C unless otherwise specified)

Parameter	Symbol	Test conditions	Min	Typ	Max	Unit
Reverse voltage	$V_{(BR)}$	$I_R=100\mu A$	40			V
Reverse current	I_R	$V_R=10V$			30	μA
Forward voltage	V_F	$I_F=100mA$			0.55	V
		$I_F=10mA$			0.34	
Total capacitance	C_{tot}	$V_R=10V, f=1MHz$		6		pF

MARKING: D3C

RATINGS AND CHARACTERISTIC CURVES

