

## SCHOTTKY BARRIER DIODE

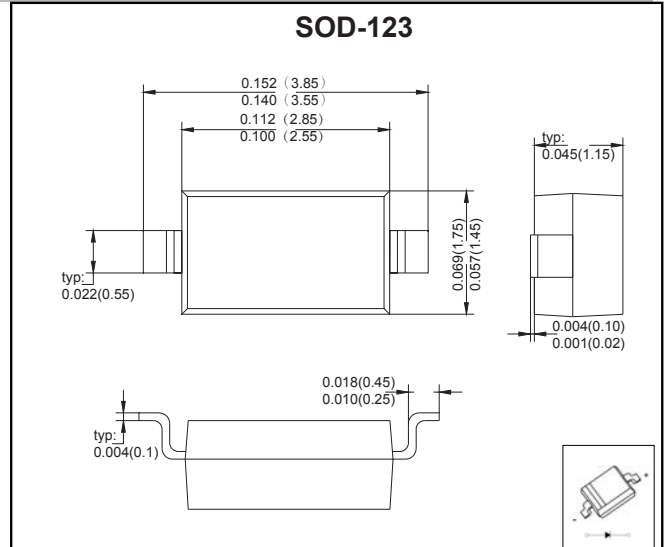
VOLTAGE RANGE:60V PEAK PULSE POWER:400mW

### FEATURES

- Low Forward Voltage Drop
- Guard Ring Construction for Transient Protection
- Negligible Reverse Recovery Time

### MECHANICAL DATA

- Case: SOD-123 Small Outline Plastic Package
- Polarity: Color band denotes cathode end
- Mounting Position: Any



## MAXIMUM RATINGS AND CHARACTERISTICS

Ratings at 25 C ambient temperature unless otherwise specified

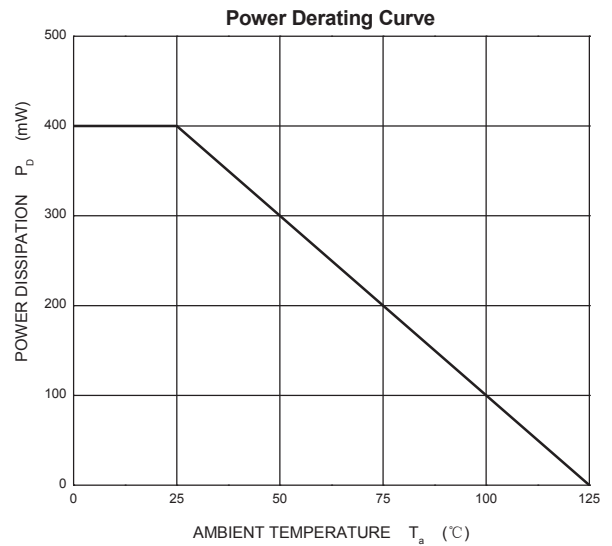
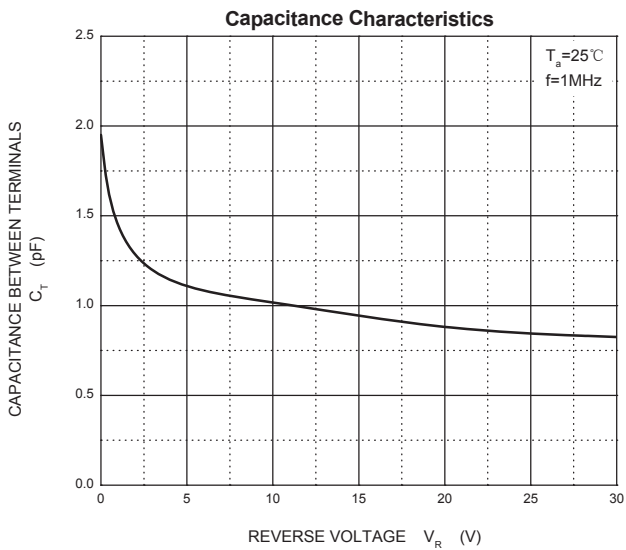
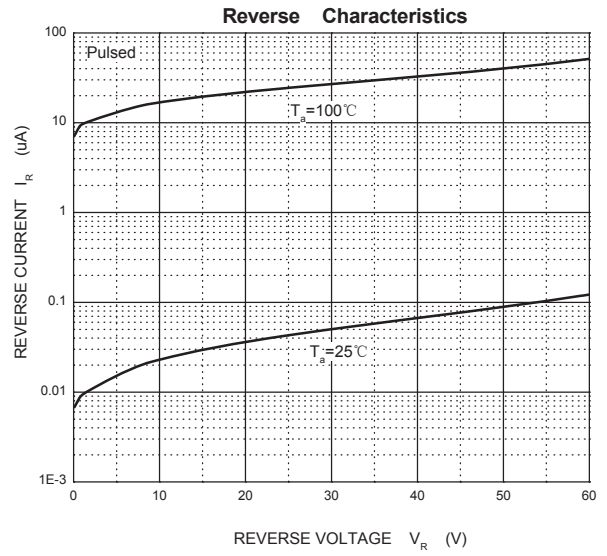
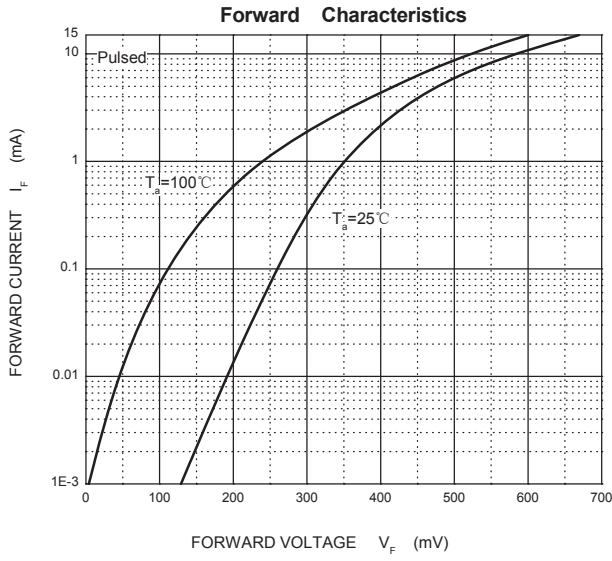
Parameter	Symbol	Value	Unit
Peak Repetitive Peak Reverse Voltage	$V_{RRM}$	60	V
Working Peak Reverse Voltage	$V_{RWM}$		
DC Blocking Voltage	$V_R$		
RMS Reverse Voltage	$V_{R(RMS)}$	42	V
Forward Continuous Current	$I_{FM}$	15	mA
Non-repetitive Peak Forward Surge Current @ $t=8.3ms$	$I_{FSM}$	2.0	A
Power Dissipation	$P_d$	400	mW
Thermal Resistance Junction to Ambient	$R_{\theta JA}$	250	$^{\circ}C/W$
Junction temperature	$T_j$	125	$^{\circ}C$
Storage Temperature	$T_{STG}$	-55~+150	$^{\circ}C$

## Electrical Specification ( $T_A=25@25^{\circ}C$ unless otherwise specified)

Parameter	Symbol	Min	Typ	Max	Unit	Conditions
Reverse breakdown voltage	$V_R$	60			V	$I_R=10\mu A$
Forward voltage	$V_F$			0.41 1.00	V	$I_F=1.0mA$ $I_F=15mA$
Reverse current	$I_{RM}$			0.2	$\mu A$	$V_R=50V$
Capacitance between terminals	$C_T$			2.0	pF	$V_R=0V, f=1.0MHz$
Reverse recovery time	$t_{rr}$			1.0	ns	$I_F=I_R=5mA$ $I_{rr}=0.1I_R, R_L=100\Omega$

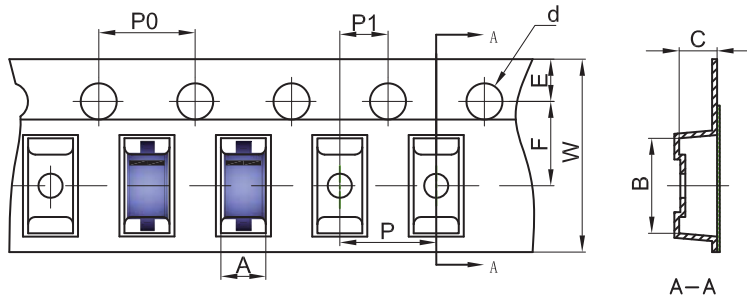
MARKING: S1

# RATINGS AND CHARACTERISTIC CURVES



# SOD-123 Tape and Reel

## SOD-123 Embossed Carrier Tape

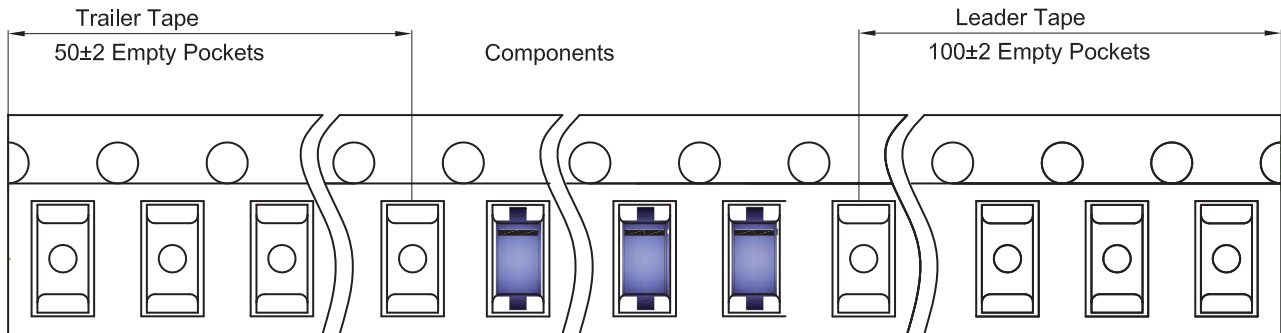


### Packaging Description:

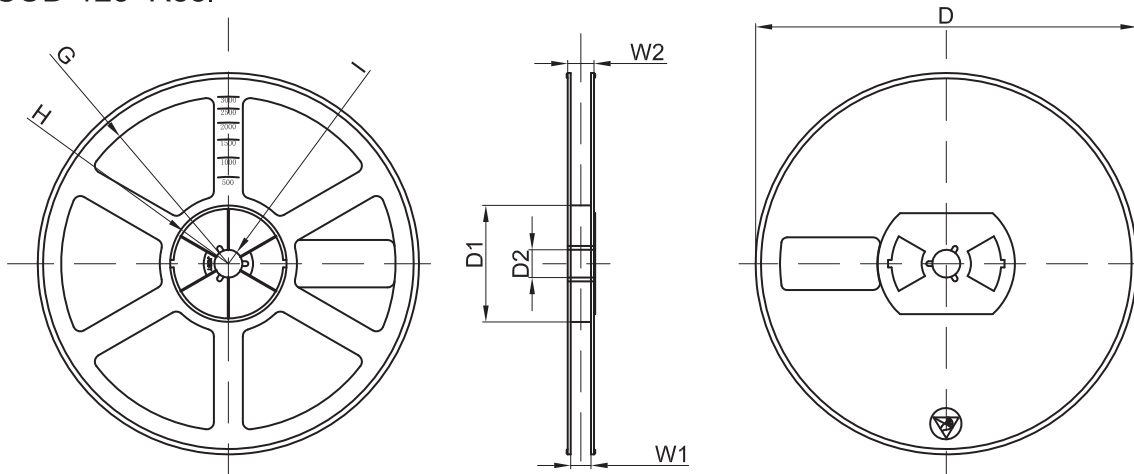
SOD-123 parts are shipped in tape. The carrier tape is made from a dissipative (carbon filled) polycarbonate resin. The cover tape is a multilayer film (Heat Activated Adhesive in nature) primarily composed of polyester film, adhesive layer, sealant, and anti-static sprayed agent. These reeled parts in standard option are shipped with 3,000 units per 7" or 17.8cm diameter reel. The reels are clear in color and is made of polystyrene plastic (anti-static coated).

Dimensions are in millimeter											
Pkg type	A	B	C	d	E	F	P0	P	P1	W	
SOD-123	1.85	3.95	1.57	Ø1.55	1.75	3.50	4.00	4.00	2.00	8.00	

## SOD-123 Tape Leader and Trailer



## SOD-123 Reel



Dimensions are in millimeter								
Reel Option	D	D1	D2	G	H	I	W1	W2
7" Dia	Ø178.00	54.40	13.00	R78.00	R25.60	R6.50	9.50	12.30

REEL	Reel Size	Box	Box Size(mm)	Carton	Carton Size(mm)	G.W.(kg)
3000 pcs	7 inch	45,000 pcs	203×203×195	180,000 pcs	438×438×220	