

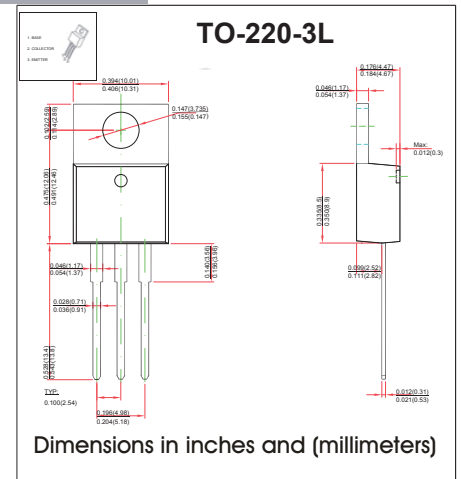
TO-220-3L Plastic-Encapsulate Transistors

FEATURES

- Medium Power Linear Switching Applications
- TRANSISTOR (NPN)

MECHANICAL DATA

- Case style:TO-220-3L molded plastic
- Mounting position:any



MAXIMUM RATINGS AND CHARACTERISTICS

@ 25°C Ambient Temperature (unless otherwise noted)

Symbol	Parameter	TIP31	TIP31A	TIP31B	TIP31C	Unit
V_{CBO}	Collector-Base Voltage	40	60	80	100	V
V_{CEO}	Collector-Emitter Voltage	40	60	80	100	V
V_{EBO}	Emitter-Base Voltage	5				V
I_C	Collector Current	3				A
P_C	Collector Power Dissipation	2				W
$R_{\theta JA}$	Thermal Resistance from Junction to Ambient	62.5				
T_j	Junction Temperature	150				°C
T_{stg}	Storage Temperature	-55~+150				°C

ELECTRICAL CHARACTERISTICS ($T_a=25^\circ\text{C}$ unless otherwise specified)

Parameter	Symbol	Test conditions	Min	Max	Unit
Collector-base breakdown voltage	TIP31 TIP31A TIP31B TIP31C $V_{(BR)CBO}$	$I_C=1\text{mA}, I_E=0$	40 60 80 100		V
Collector-emitter breakdown voltage *	TIP31 TIP31A TIP31B TIP31C $V_{CEO(sus)}$	$I_C=30\text{mA}, I_B=0$	40 60 80 100		V
Emitter-base breakdown voltage	$V_{(BR)EBO}$	$I_E=1\text{mA}, I_C=0$	5		V
Collector cut-off current	TIP31 TIP31A TIP31B TIP31C I_{CBO}	$V_{CB}=40\text{V}, I_E=0$ $V_{CB}=60\text{V}, I_E=0$ $V_{CB}=80\text{V}, I_E=0$ $V_{CB}=100\text{V}, I_E=0$		200	μA
Collector cut-off current	TIP31/31A TIP31B/31C I_{CEO}	$V_{CE}=30\text{V}, I_B=0$ $V_{CE}=60\text{V}, I_B=0$		0.3	mA
Emitter cut-off current	I_{EBO}	$V_{EB}=5\text{V}, I_C=0$		1	mA
DC current gain	$h_{FE(1)}$	$V_{CE}=4\text{V}, I_C=1\text{A}$	25		
	$h_{FE(2)}$	$V_{CE}=4\text{V}, I_C=3\text{A}$	15	75	
Collector-emitter saturation voltage	$V_{CE(sat)}$	$I_C=3\text{A}, I_B=0.375\text{A}$		1.2	V
Base-emitter voltage	$V_{BE(on)}$	$V_{CE}=4\text{V}, I_C=3\text{A}$		1.8	V
Transition frequency	f_T	$V_{CE}=10\text{V}, I_C=0.5\text{A}$	3		MHz

* Pulse Test: $PW \leq 300\mu\text{s}$, Duty Cycles $\leq 2\%$.

■ Typical Characteristics

